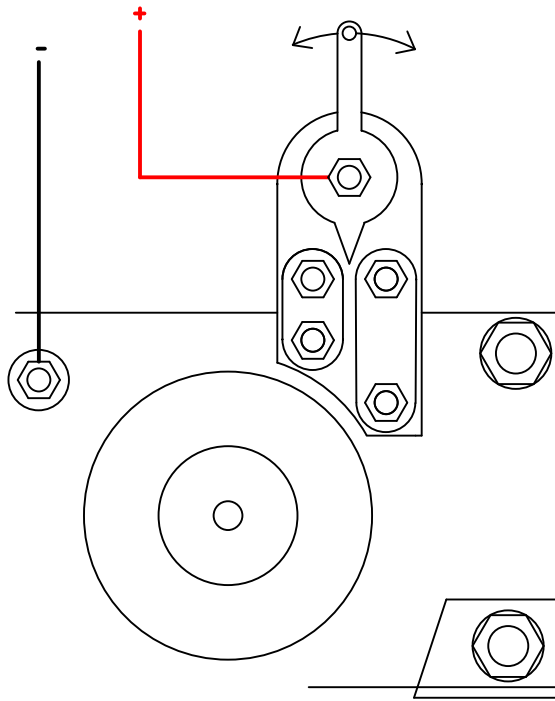


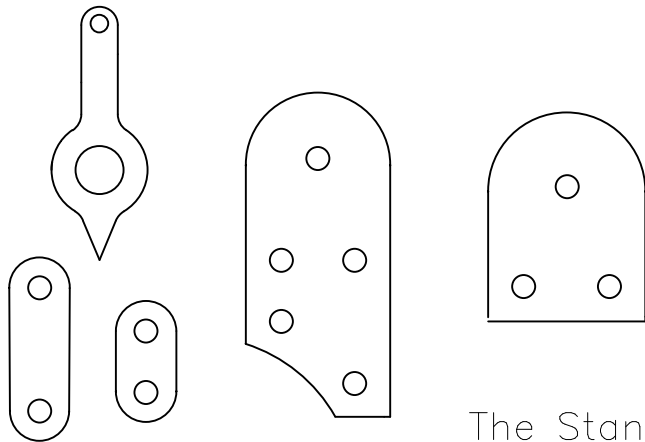
Taycol Reversing Switch Addition



The Meteor and the Asteroid motors both have a small brass lever which provides an electrical reverse switch. This is not provided on the Double Special, Standard or Supermarine Special.

However, for these models it is easy to produce a small add-on Paxolin/Tufnol plate as indicated below. The drawings should be self-explanatory.

If the lever is being added to allow a servo to select reverse, it is a good idea to bevel the edges of the lever and the contact washer, so that they slide easily over each other.



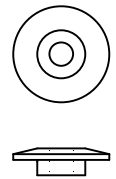
0.035"
Brass

0.075"
Tufnol

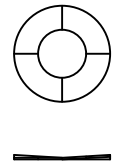
The Standard motor uses a smaller Tufnol/Paxolin plate, as above.

The original Taycol lever is mounted on a rebated bearing, as shown on the right, and is sprung with a thin brass washer creased at right angles, as indicated.

The assembly is shown expanded below. Instead of making up a special bearing, a stack of 1/4" washers could be used.



Brass bearing



Spring washer

