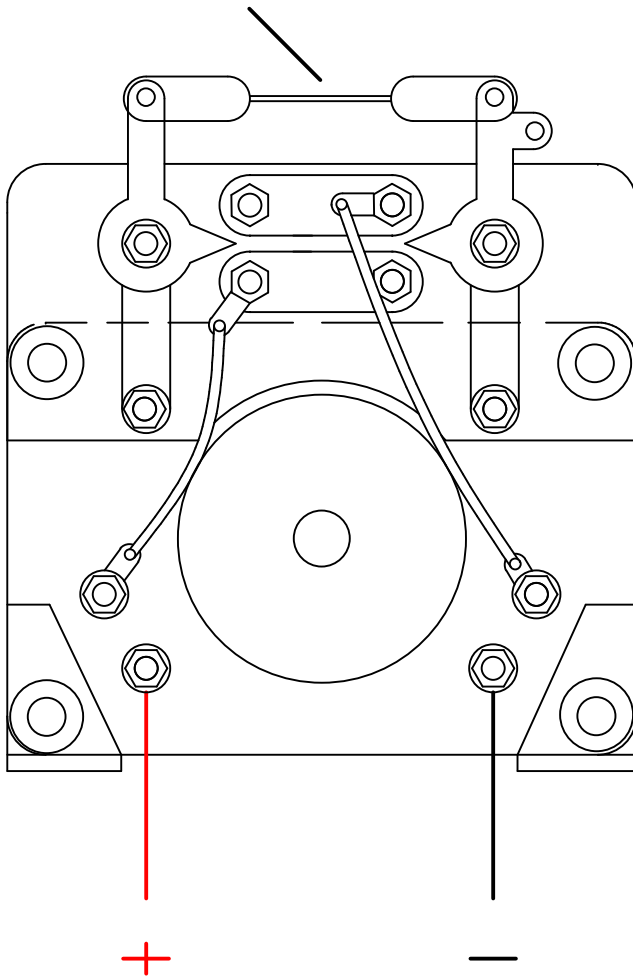


## Taycol Supermarine Reverse Switch

Note INSULATED link



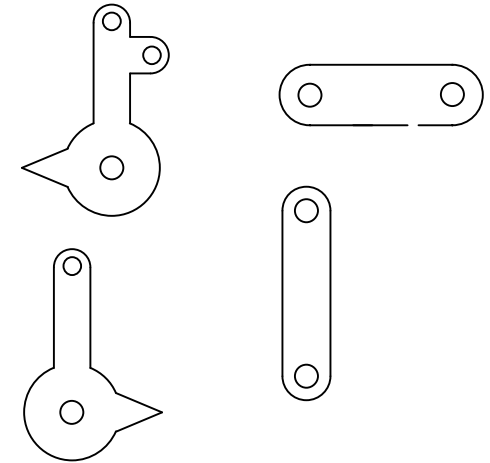
Note that power is provided to the LOWER coil connections, while the upper ones are switched. If this switch fails it is possible to short-circuit, so fuses must be employed.

The Supermarine is the only common Taycol which does not have a reversing coil, and needs a double-pole double-throw switch for reversing.

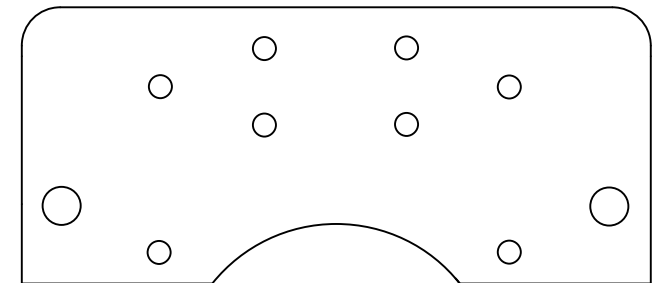
This sketch shows a possible modification to provide on, using Taycol-type brass levers.

Note that the levers are shown here with a simple pivot hole – it is better to use the small bearing mount shown in the Double/Standard plan.

The link between the two levers must be made by an insulated link. However, solid plastic clips should not be used, since a plastic/brass connection may wear the plastic, causing the switch to fail. At least provide a metal axle.



1mm brass parts



2mm paxolin part