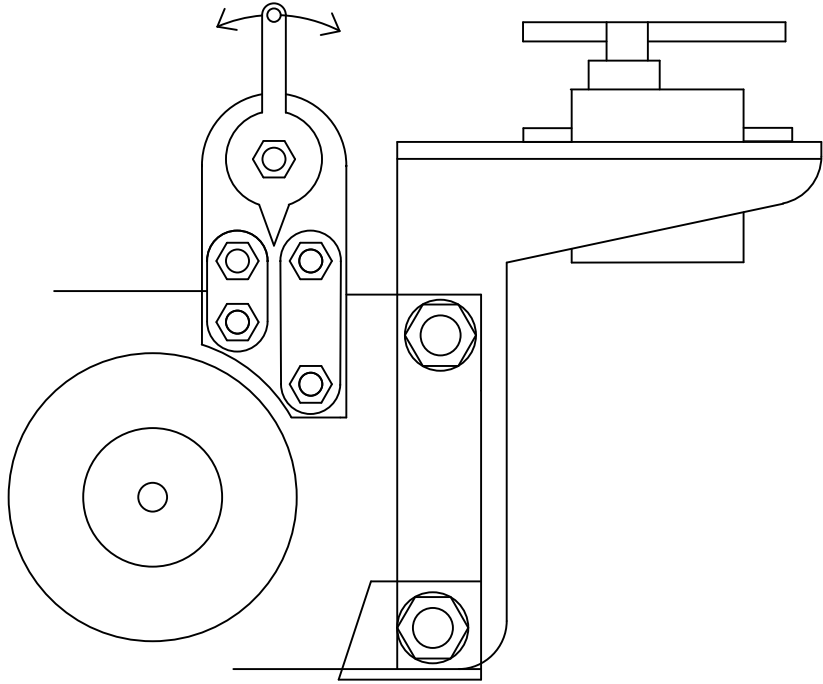
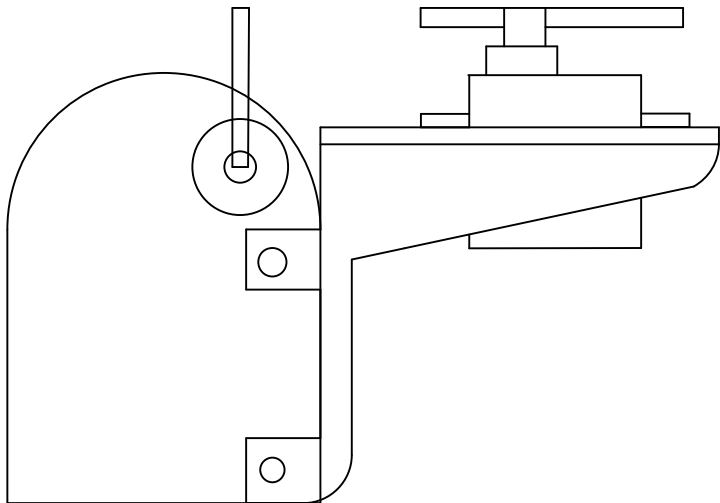


Taycol Servo Mount



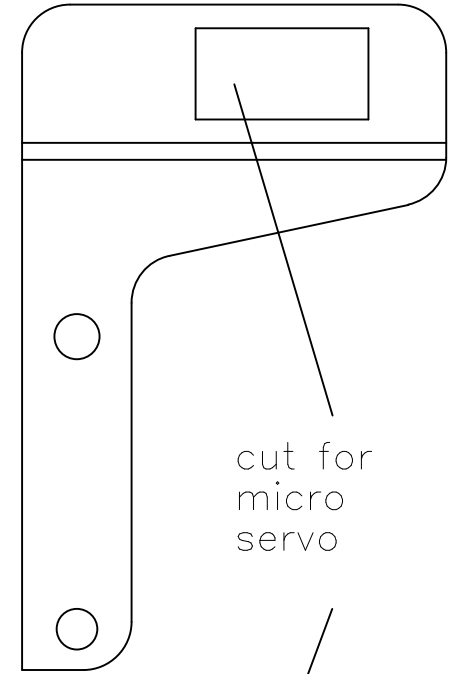
Typical large motor installation



Typical small motor installation

Any servo mount will depend on the details of the actual installation. Here are some simple example folded metal mounts – make out of 1mm steel sheet or 2mm aluminium

90 deg bend here



cut for micro servo

90 deg bend here

